
PXI-2542

Features

2025-03-20



Contents

PXI-2542 Overview 3

PXI-2542 Overview

PXI-2542 Pinout

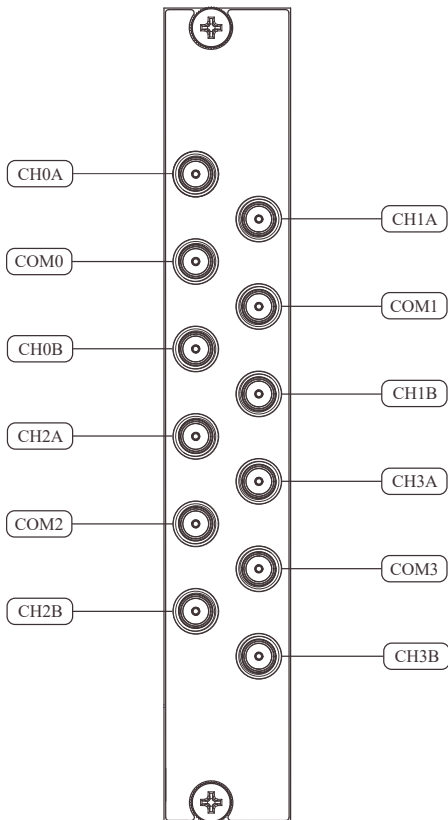
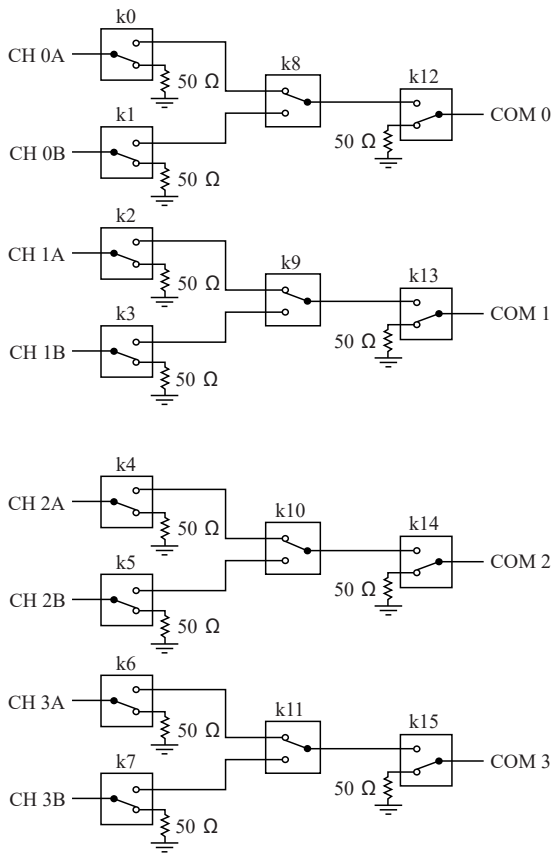


Table 1. Signal Descriptions

Signal	Description
CHxA and CHxB	Interchangeable signal connections
COMx	Routing destination for the corresponding channel

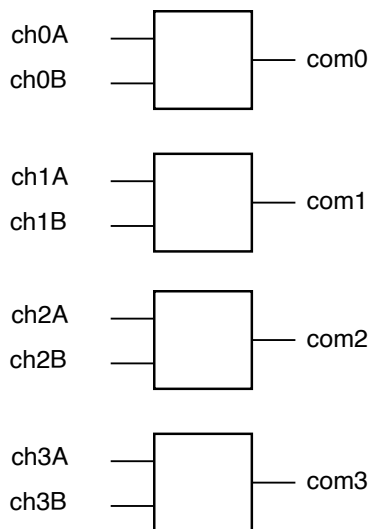
PXI-2542 Hardware Diagram



PXI-2542 Topology

Module software name: 2542/Quad 2x1 Terminated Mux
 (NISWITCH_TOPOLOGY_2542_Quad_2X1_TERMINATED_MUX)

Quad 2x1 Multiplexer



Making a Connection

Call the `niSwitch Connect Channels VI` or the `niSwitch_Connect` function to connect channels in this topology. If applicable, you must call the `niSwitch Disconnect Channels VI` or the `niSwitch_Disconnect` function to disconnect an existing connection before you call the `niSwitch Connect Channels VI` or the `niSwitch_Connect` function.

The following sequence of tasks illustrates the VI/function calls necessary to make consecutive connections—one between CH 1A and COM 1 and the other between CH 2B and COM 2:

1. Call the `niSwitch Connect Channels VI` or the `niSwitch_Connect` function with parameters `ch1A` and `com1`.
2. Call the `niSwitch Disconnect Channels VI` or the `niSwitch_Disconnect` function with parameters `ch1A` and `com1`.
3. Call the `niSwitch Connect Channels VI` or the `niSwitch_Connect` function with parameters `ch2B` and `com2`.

When scanning the module, a typical scan list entry might be `ch1A->com1 ;`. This entry routes the signal connected to CH 1A to COM 1.